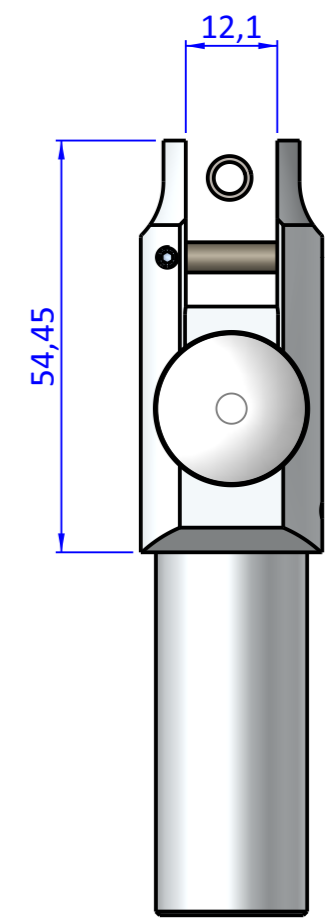
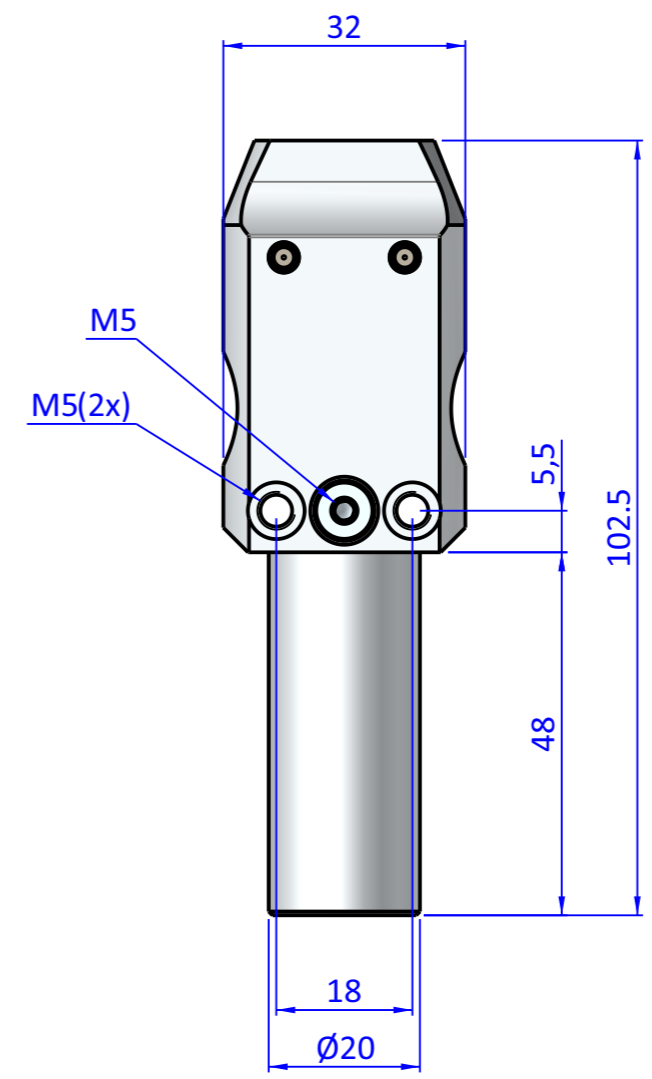
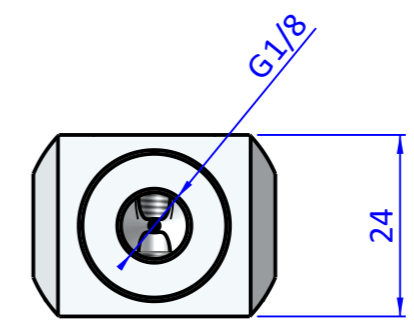
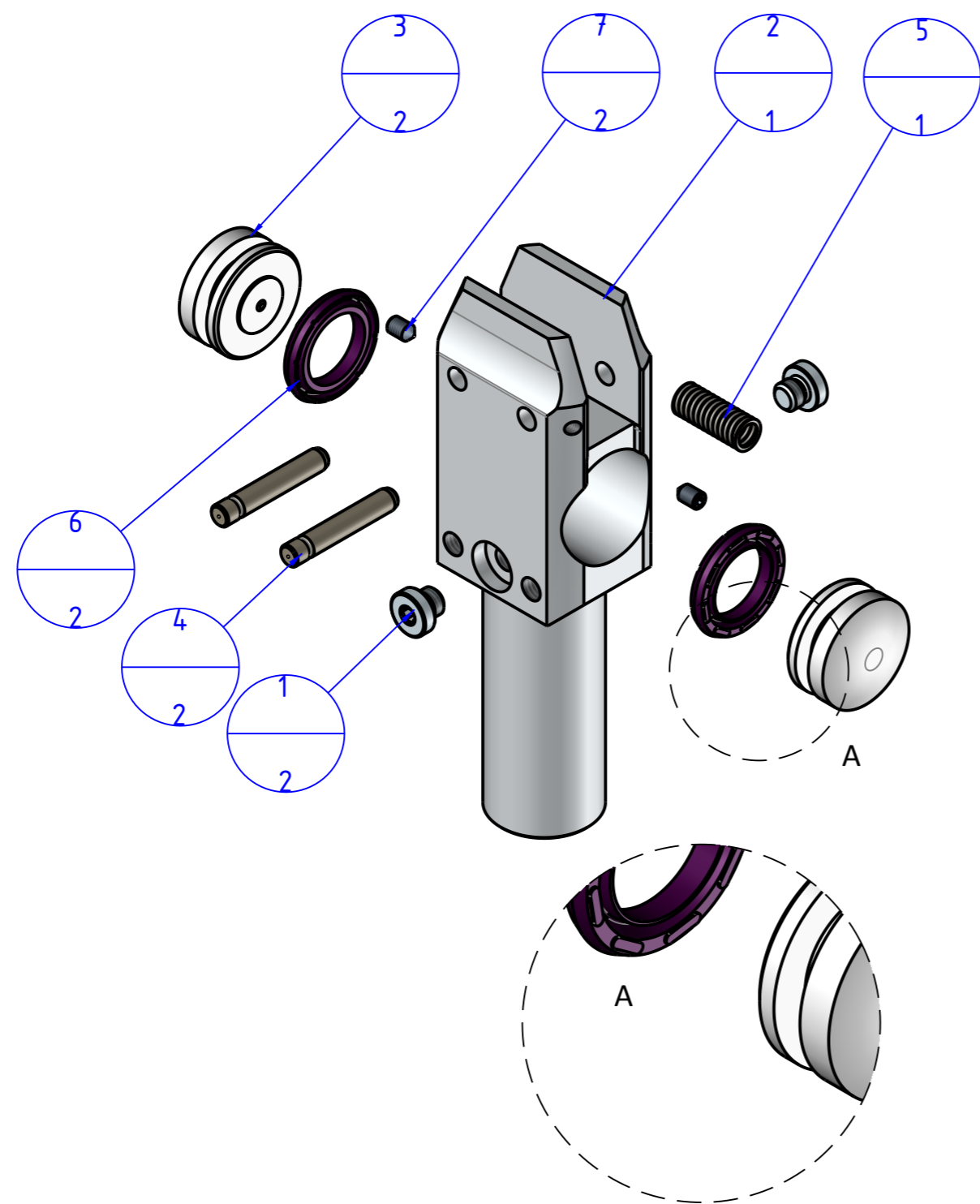



THE PROPERTY OF THE DRAWING IS ESTABLISHED BY LAW. IT IS FORBIDDEN TO PRODUCE OR SHOW IT TO THIRD PART, WITHOUT A WRITTEN AGREEMENT.

Item	Name	Qty.
1	CA.08.14.013	2
2	GTS.1004.01	1
3	GTS.1004.02	2
4	GTS.1004.03	2
5	M.6x25.SH	1
6	PSP.201325	2
7	V.STM3X5	2



Format A3
UNI 936-76

 FPS FPSERVICES AUTOMATION		DESIGNED FROM		REVIEW
		FPS Automation		A
GENERAL TOLERANCE		DATE	WEIGHT	
UNI - ISO 2768		13/05/2024	0,093kg	
CLASSE f		CODE		
		GTS.04.G18		GTS.04.G18